

B

TP - ASF

Haskel**TEST PROCEDURES
ASF SERIES PUMP**100 E. Graham Place
Burbank, CA 91502 U.S.A.

MODEL NO. _____ SERIAL NO. _____

VERIFIED BY Q.C.: _____

B

Omit tech., date & verified by lines.
See ECO

J.R. DHA 6/10/04

REV

DESCRIPTION

BY

APPD

DATE

1. TEST SET-UP:

Install pump inside safety test enclosure. Connect pump to supply lines inside test enclosure according to the schematic below. Couple correct hydraulic gauge **4** to disconnect. (Note: After making connections, close and lock test enclosure door before proceeding.)

TABLE 1

110

1. Valve, Hydraulic Inlet

2. Disconnect,
Hydraulic Inlet3. Disconnect,
Hydraulic Outlet

4. Gauge, Hydraulic Outlet Pressure

5. Disconnect, Hydraulic Gauge

6. Valve, Hydraulic Outlet (stall)

7. Regulator, Air Supply

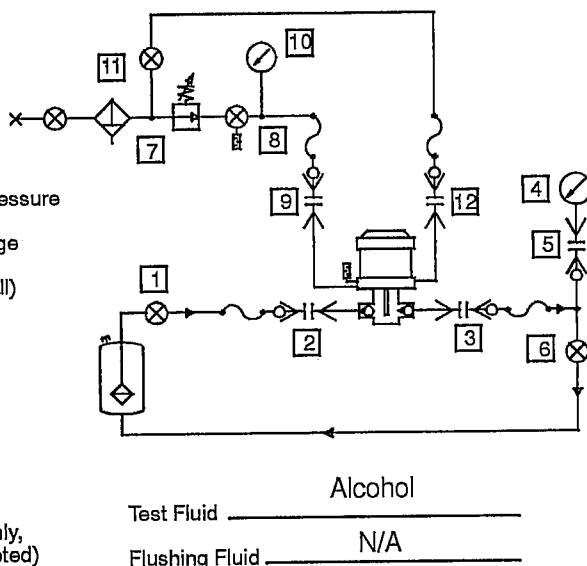
8. Valve, Air Inlet/Exhaust

9. Disconnect, Air Inlet

10. Gauge, Air Inlet Pressure

11. Valve, Air Pilot Supply
(for 28881 modification only,
leave closed except as noted)

12. Disconnect, Air Pilot



RATIO	AIR DRIVE TEST PRESSURE	HYDRAULIC STALL PRESSURE
-10	80 PSIG	800 PSIG
-15	80 PSIG	1200 PSIG
-25	80 PSIG	2000 PSIG
-35	80 PSIG	2800 PSIG
-60	80 PSIG	4800 PSIG
-100	80 PSIG	8000 PSIG
-150	80 PSIG	12,000 PSIG
-22	80 PSIG	1600 PSIG
-32	80 PSIG	2400 PSIG
-52	80 PSIG	4000 PSIG
-72	80 PSIG	5600 PSIG
-122	80 PSIG	9600 PSIG

2. MINIMUM CYCLING PRESSURE:

Start with valve **1** and **6** open and regulator **7** set at test pressure specified in table 1. Slowly open valve **8** until the pump starts to cycle (note air pressure, gauge **10**). The minimum cycling pressure shall be less than 15 psig. Continue cycling to prime pump.

3. CYCLING SYSTEM:

With pump primed, turn valve **8** to air inlet and adjust valve **6** to cycle pump approximately 20 cycles per minute. Continue cycling for three (3) minutes. Verify proper operation of the cycling system. For pumps with 28881 modification, close valve **11** for one (1) minute to verify pump stops cycling.

4. STALL PRESSURE:

Close valve **6** to stall pump. The pump shall build up pressure specified in table 1 and shall remain stalled without cycling for one (1) minute. This test verifies the integrity of the inlet check valve and pump seal package.

5. OUTLET CHECK AND LEAKAGE:

Turn valve **8** to exhaust and verify hydraulic outlet gauge **4** maintains steady pressure. Turn valve **8** to air inlet to pressurize air drive section. Adjust valve **6** to cycle pump approximately 10-20 cycles per minute, open test enclosure door and verify no external leakage of both the hydraulic and air drive sections (do not rotate pump during cycling for leak check. Depressurize unit, rotate pump, then pressurize for leak check).

6. PREPARATION FOR SHIPMENT:

Open valve **6** and close valve **8** to de-pressurize pump. Drain pump, remove test fittings and clean thread ports of all residual teflon tape. Insert plastic shipping plugs and apply nameplate, decals and stamps.

TP - ASF

B